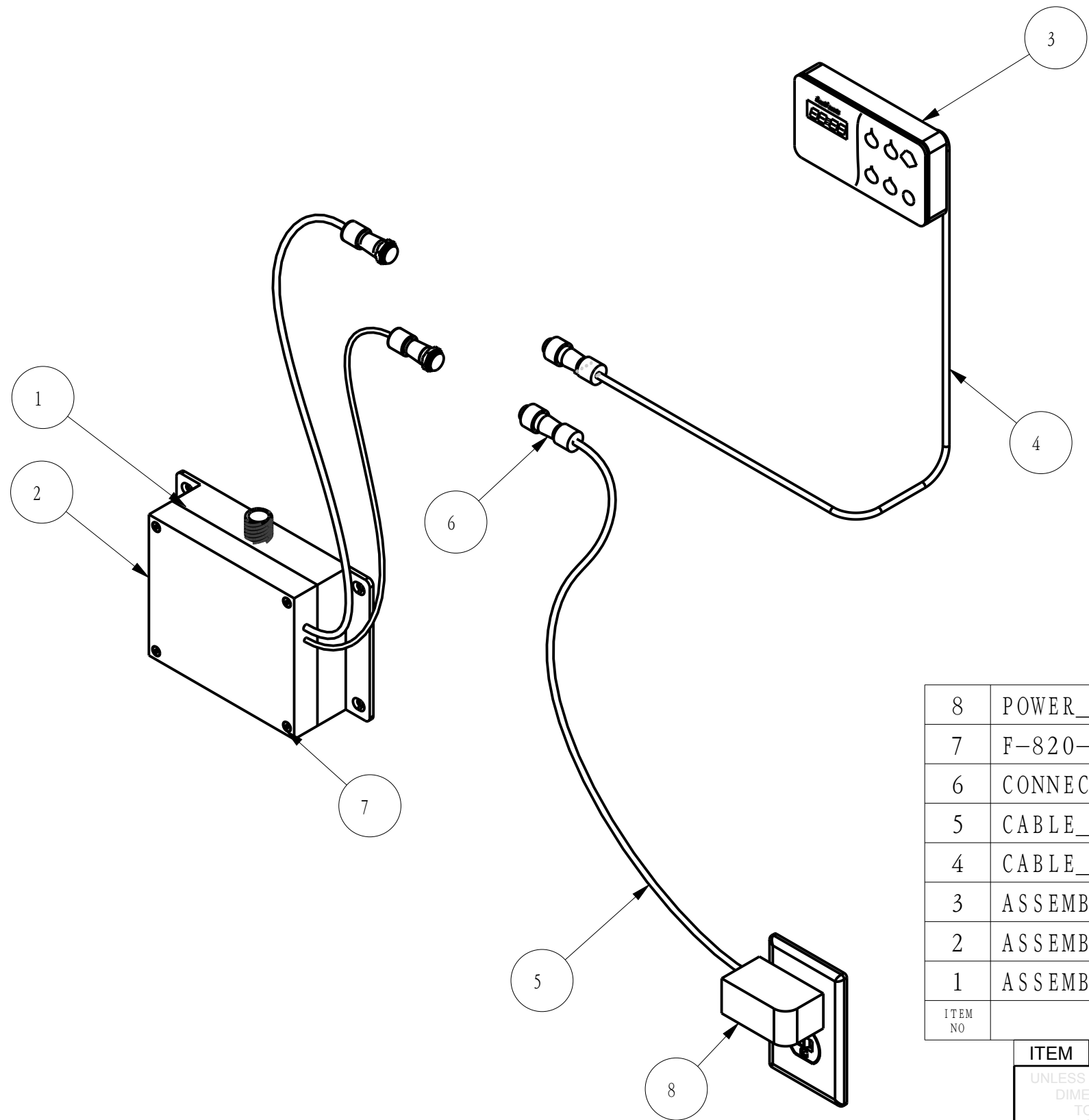


THIS DRAWING AND THE INFORMATION THEREIN ARE PROPERTY OF YAMAHA MOTOR CORP. U.S.A. (YMCUS) AND SHALL NOT BE REPRODUCED, COPIED, RECORDED IN ANY MEDIA, USED FOR ANY OTHER PURPOSE OR DELIVERED AND/OR DISCLOSED TO ANY THIRD PARTY WITHOUT WRITTEN CONSENT OF YMCUS.

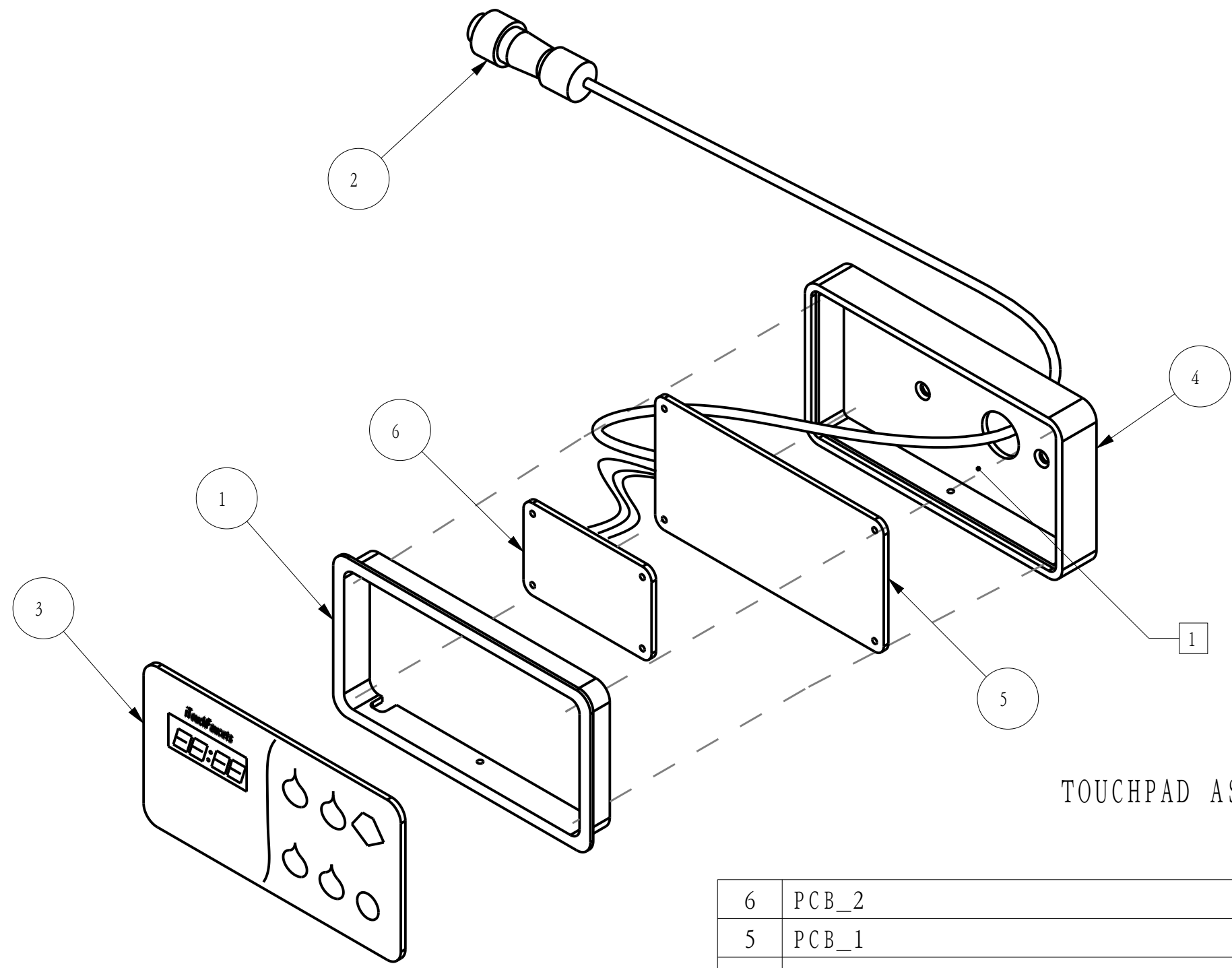


REVISIONS				
ZONE	REV	DESCRIPTION	DATE	APPROVED
	P0	PRELIMINARY RELEASE	10/20/2015	BF
4C4 4D4	P1	FIX ISSUES WITH REDESIGN ADD ITEMS 24 (STANDOFF) , 25 (SCREW) AND 26 (MOLD) REVISE P/L PART NUMBER ITEM 11 IS 45 882 000 (WAS CARTRIDGE ; DESCRIPTION IS CARTRIDGE BY GROHE) REVISE P/L QTY ITEM 15 IS QTY 10 (WAS 14) REVISE P/L PART NUMBER ITEM 23 IS HS-5645MG (WAS TSX45 ; DESCRIPTION IS SERVO MOTOR BY HITEC) DELETE ITEMS 4 , 5 , 6 , 7 , 16 , 18 , 19 AND 21 (BRACKETS , HEX NUT , RESET SWITCH BUTTON AND CONNECTOR) REDO ALL BALOONS AND P/L ITEM NUMBERS ACCORDINGLY	05-17-2017	

8	POWER_SUPPLY	1		
7	F-820-NK_MODIFIED	4	SCREW, 6-32 UNC X 1.75 L	
6	CONNECTOR_2_PIN_PLUG	1		
5	CABLE_ITOUCH_SYSTEM_4	1		
4	CABLE_ITOUCH_SYSTEM_2	1		
3	ASSEMBLY_TOUCHPAD	1		
2	ASSEMBLY_CONTROL_BOX_TOP	1		
1	ASSEMBLY_CONTROL_BOX_BASE	1		
ITEM NO	PART NUMBER	QTY	DESCRIPTION	NOTES

- FOR ITEMS, CONNECTORS AND CABLES NOT IN P/L OR FOR CLARIFICATION SEE OTHER SHEETS AND MANUFACTURER BOM
ON ALL SHEETS ITEM NUMBERS DO NOT CORRESPOND B/T BOM AND P/L
- FOR FURTHER DIMENSION AND DETAILS SEE 3D MODEL

ITEM	DESCRIPTION	PART NUMBER	QTY LT	QTY RT	MATERIAL	SIZE
UNLESS OTHERWISE SPECIFIED DIMENSIONS ARE IN INCHES. TOLERANCES ARE: INCHES ANGLES .X± 0.02 IN ± 0.5° .XX± 0.01 IN .XXX± 0.005 IN NOTE: INCHES=MM/25.4		- DO NOT SCALE DRAWING -		ITOUCH FAUCET CORP., U.S.A. 9595 WIL SHIRE BLVD ; SUITE 900 # 612; BEVERLY HILLS, CALIF. 90212		
APPROVALS		DATE	ASSEMBLY, ITOUCH SYSTEM			
DRAWN BY HAO		10/20/2015				
CHECKED						
APPROVED FABRO		10/20/2015				
FINISH			SIZE	MODEL NUMBER	DWG NO.	REV
REMOVE ALL BURRS & SHARP CORNERS			B		9100001	P1
			MASS	SCALE	SHEET	
				0.250	SHEET 1 OF 4	



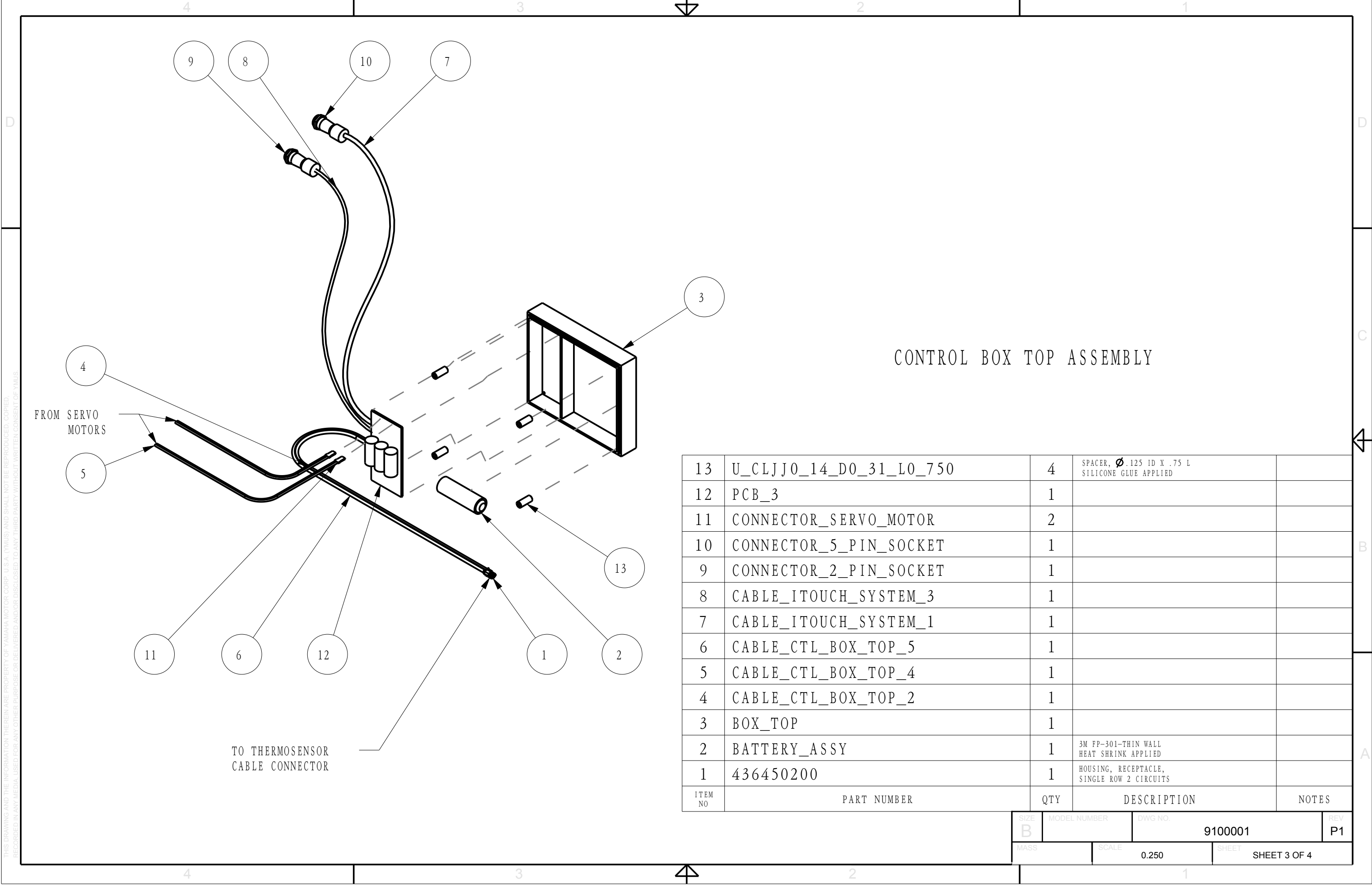
TOUCHPAD ASSEMBLY

NOTES: UNLESS OTHERWISE SPECIFIED
 1 MARK PART FAR SIDE WITH UPC CERTIFICATION, SUPPLIER AND DATE CODE IN LOCATION SHOWN
 2. POTTING (EPOXIES, ETC. 50-2369CFRTR22) APPLIED TO BACK OF ITEM 5 TO PREVENT MOISTURE ETC.
 3. ITEMS 1 AND 3 BOND WITH SPECIAL ADHESIVE FOR PROPER FUNCTION; DO NOT DETACH

6	PCB_2	1		
5	PCB_1	1		
4	METAL_CASE	1		
3	GLASS_PRINT	1		
2	CONNECTOR_5_PIN_PLUG	1		
1	CASE_TOUCH_PAD_PLASTIC	1		
ITEM NO	PART NUMBER	QTY	DESCRIPTION	NOTES

SIZE B	MODEL NUMBER	DWG NO. 9100001	REV P1
MASS	SCALE 0.500	SHEET SHEET 2 OF 4	

THIS DRAWING AND THE INFORMATION THEREIN ARE PROPERTY OF YAMAHA MOTOR CORP. U.S.A. (YMIUS) AND SHALL NOT BE REPRODUCED, COPIED, RECORDED IN ANY MEDIA, USED FOR ANY OTHER PURPOSE OR DELIVERED AND/OR DISCLOSED TO ANY THIRD PARTY WITHOUT WRITTEN CONSENT OF YMIUS.



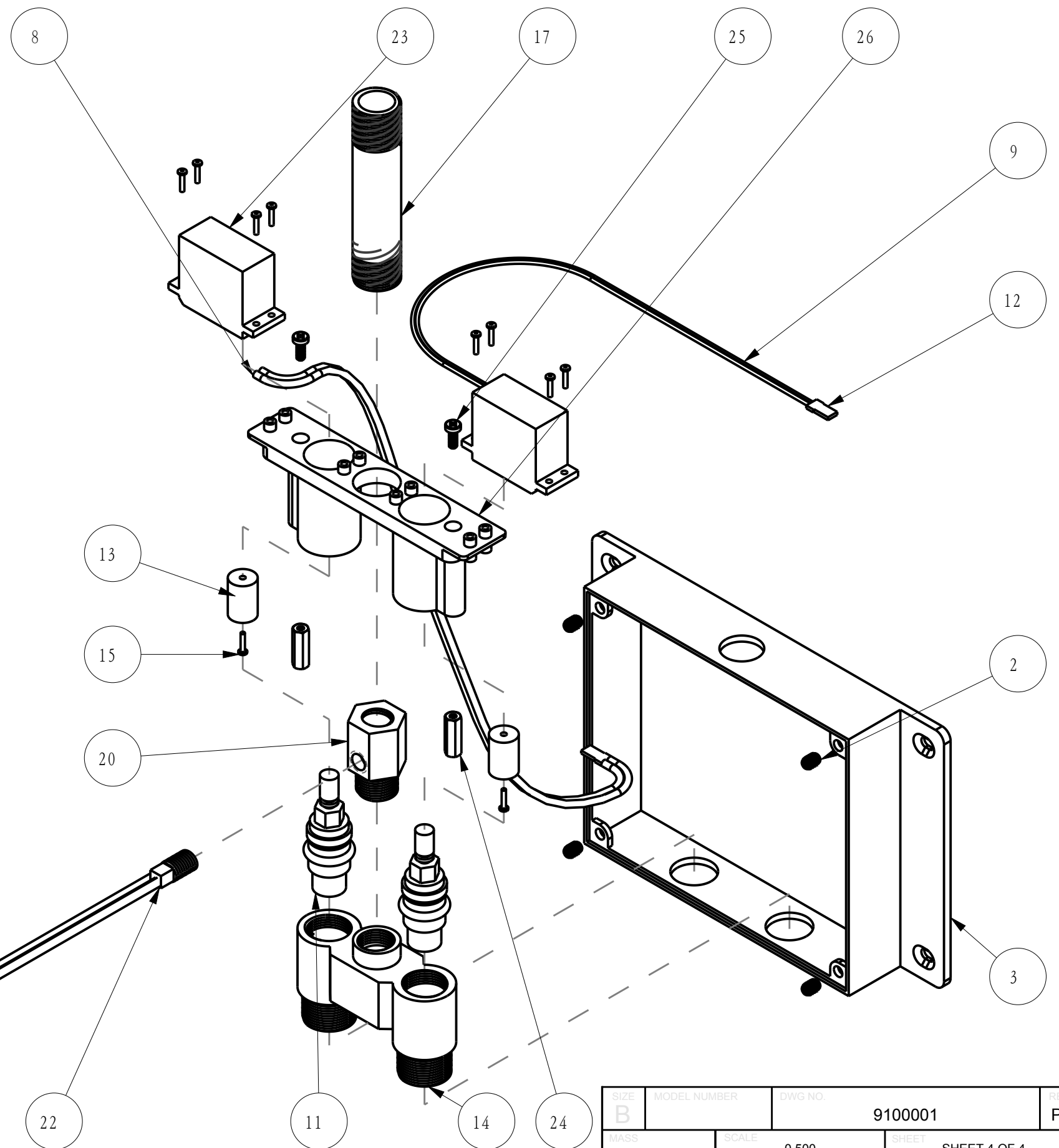
CONTROL BOX TOP ASSEMBLY

13	U_CLJJO_14_D0_31_L0_750	4	SPACER, ϕ .125 ID X .75 L SILICONE GLUE APPLIED	
12	PCB_3	1		
11	CONNECTOR_SERVO_MOTOR	2		
10	CONNECTOR_5_PIN_SOCKET	1		
9	CONNECTOR_2_PIN_SOCKET	1		
8	CABLE_ITOUCH_SYSTEM_3	1		
7	CABLE_ITOUCH_SYSTEM_1	1		
6	CABLE_CTL_BOX_TOP_5	1		
5	CABLE_CTL_BOX_TOP_4	1		
4	CABLE_CTL_BOX_TOP_2	1		
3	BOX_TOP	1		
2	BATTERY_ASSY	1	3M FP-301-THIN WALL HEAT SHRINK APPLIED	
1	436450200	1	HOUSING, RECEPTACLE, SINGLE ROW 2 CIRCUITS	
ITEM NO	PART NUMBER	QTY	DESCRIPTION	NOTES

SIZE	MODEL NUMBER	DWG NO.	REV
B		9100001	P1
MASS	SCALE	SHEET	
	0.250	SHEET 3 OF 4	

THIS DRAWING AND THE INFORMATION THEREIN ARE PROPERTY OF YAMAHA MOTOR CORP. U.S.A. (YMIUS) AND SHALL NOT BE REPRODUCED, COPIED, RECORDED IN ANY MEDIA, USED FOR ANY OTHER PURPOSE OR DELIVERED AND/OR DISCLOSED TO ANY THIRD PARTY WITHOUT WRITTEN CONSENT OF YMIUS.

ITEM NO	PART NUMBER	QTY	DESCRIPTION	NOTES
26	MOLD	1		
25	P-606-NEP	2	SCREW, 4-40 UNC X 3/8 L	
24	91780A166	2	AL HEX STANDOFF 1/4 SZ X 3/4 L X 4-40	
23	HS-5645MG	2	SERVO MOTOR BY HITEC	
22	THERMOSENSOR	1		
20	SENSOR_FITTING	1		
17	NIPPLE_3_50	1		
15	MSLX_MXL0204	10	SCREW, 1-64 UNC X 3/8 L	
14	MIXER_VALVE	1		
13	GEAR	2		
12	CONNECTOR_SERVO_MOTOR	2		
11	45_882_000	2	CARTRIDGE BY GROHE	
10	CABLE_CTL_BOX_BASE_3	1		
9	CABLE_CTL_BOX_BASE_2	1		
8	CABLE_CTL_BOX_BASE_1	1		
3	BOX_BASE	1		
2	99362A300	4	TAPPING INSERT, BRASS, 6-32 UNC INT X 9/32 L	
1	436400201	1	HOUSING, PLUG, SINGLE ROW 2 CIRCUITS	



TO PCB 3
CONNECTOR

CONTROL BOX BOTTOM ASSEMBLY

THIS DRAWING AND THE INFORMATION THEREIN ARE PROPERTY OF YAMAHA MOTOR CORP. U.S.A. (YMCUS) AND SHALL NOT BE REPRODUCED, COPIED, RECORDED IN ANY MEDIA, USED FOR ANY OTHER PURPOSE OR DELIVERED AND/OR DISCLOSED TO ANY THIRD PARTY WITHOUT WRITTEN CONSENT OF YMCUS.

SIZE B	MODEL NUMBER	DWG NO. 9100001	REV P1
MASS	SCALE 0.500	SHEET SHEET 4 OF 4	