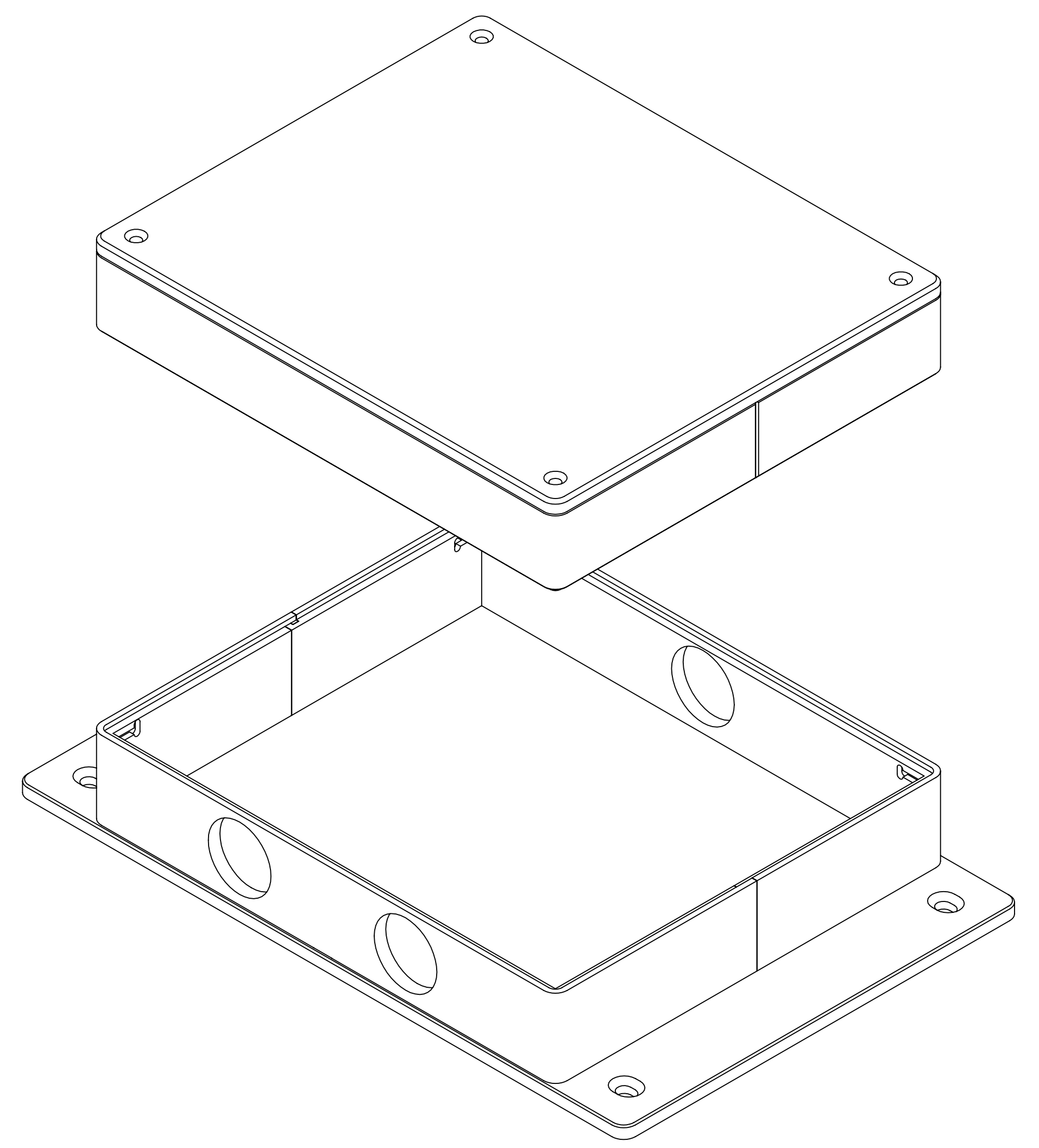


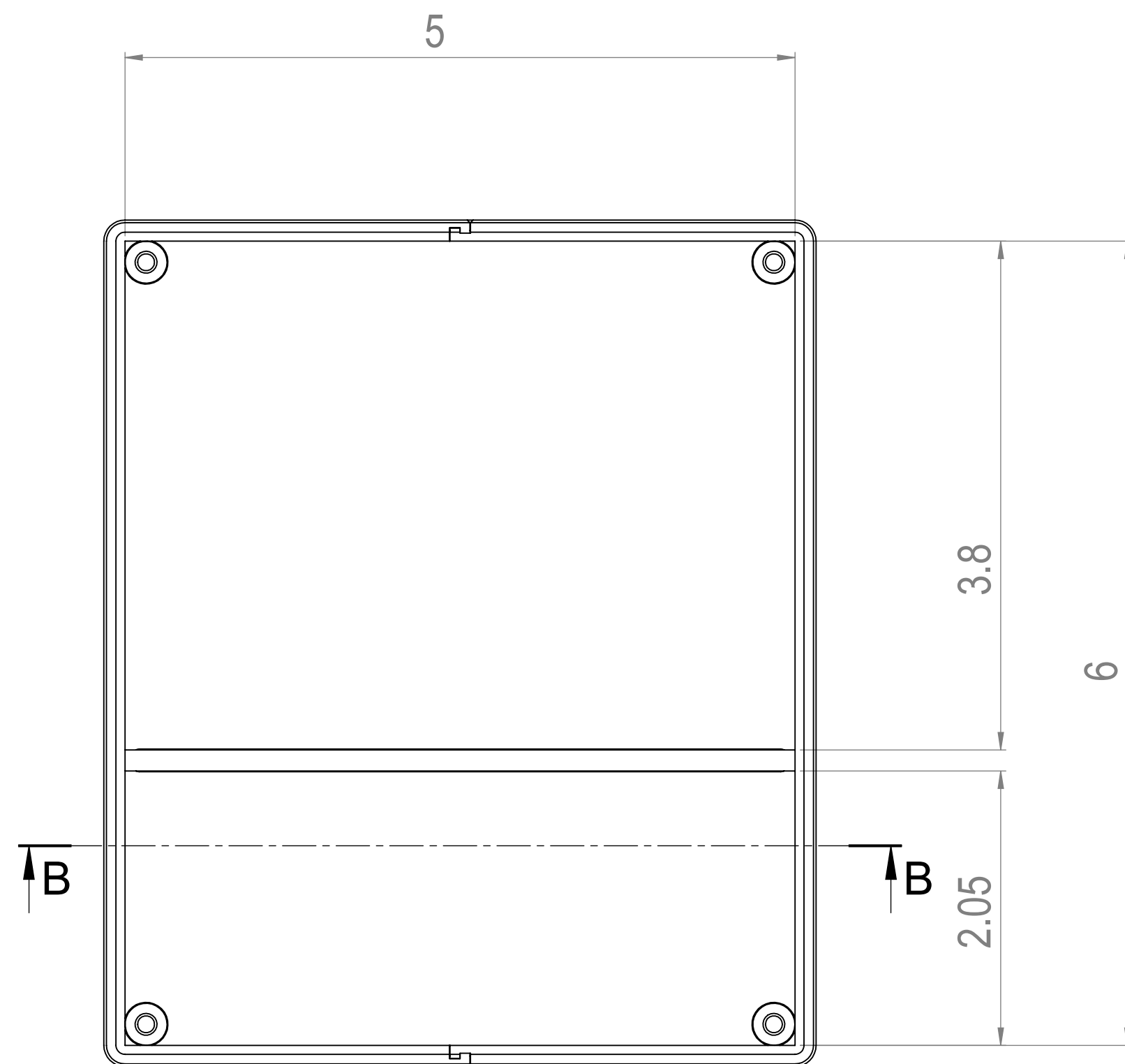
TOP VIEW
SHOWN WITHOUT LID

SLOTTED FOR 8-32 FH SCREWS (X4)
SECTION A-A

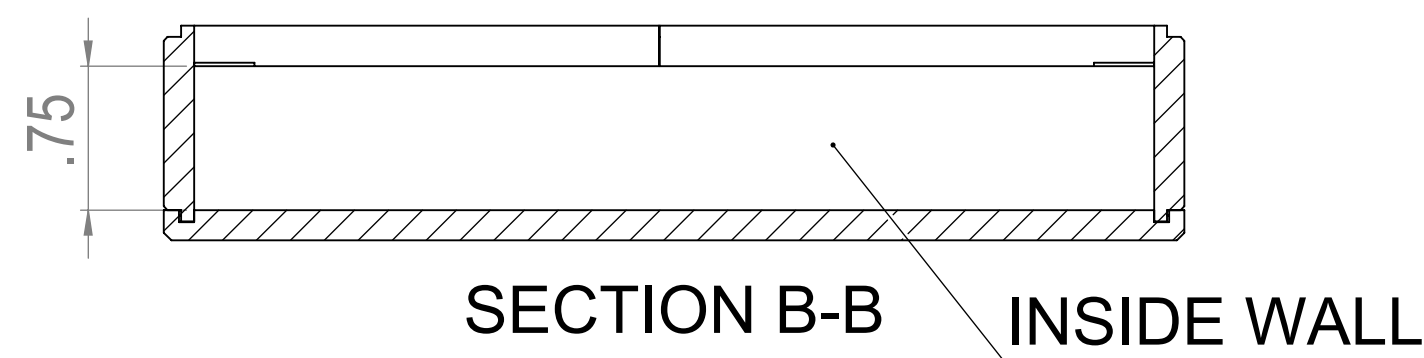


TOOLLESS DRAWING
 JOB# 6619
 JOB NAME: COMPLETE ELECTRONIC MFG
 PROJECT: WALL MOUNT ENCLOSURE
 DESIGNER: SONYA BAILEY
 DATE DRAWN: 03-10-2015
 DATE UPDATED: 06-15-2015
 MATERIAL: 4mm THICK BLACK ABS
 DIMENSIONS IN: INCHES
 SHEET 1 OF 3

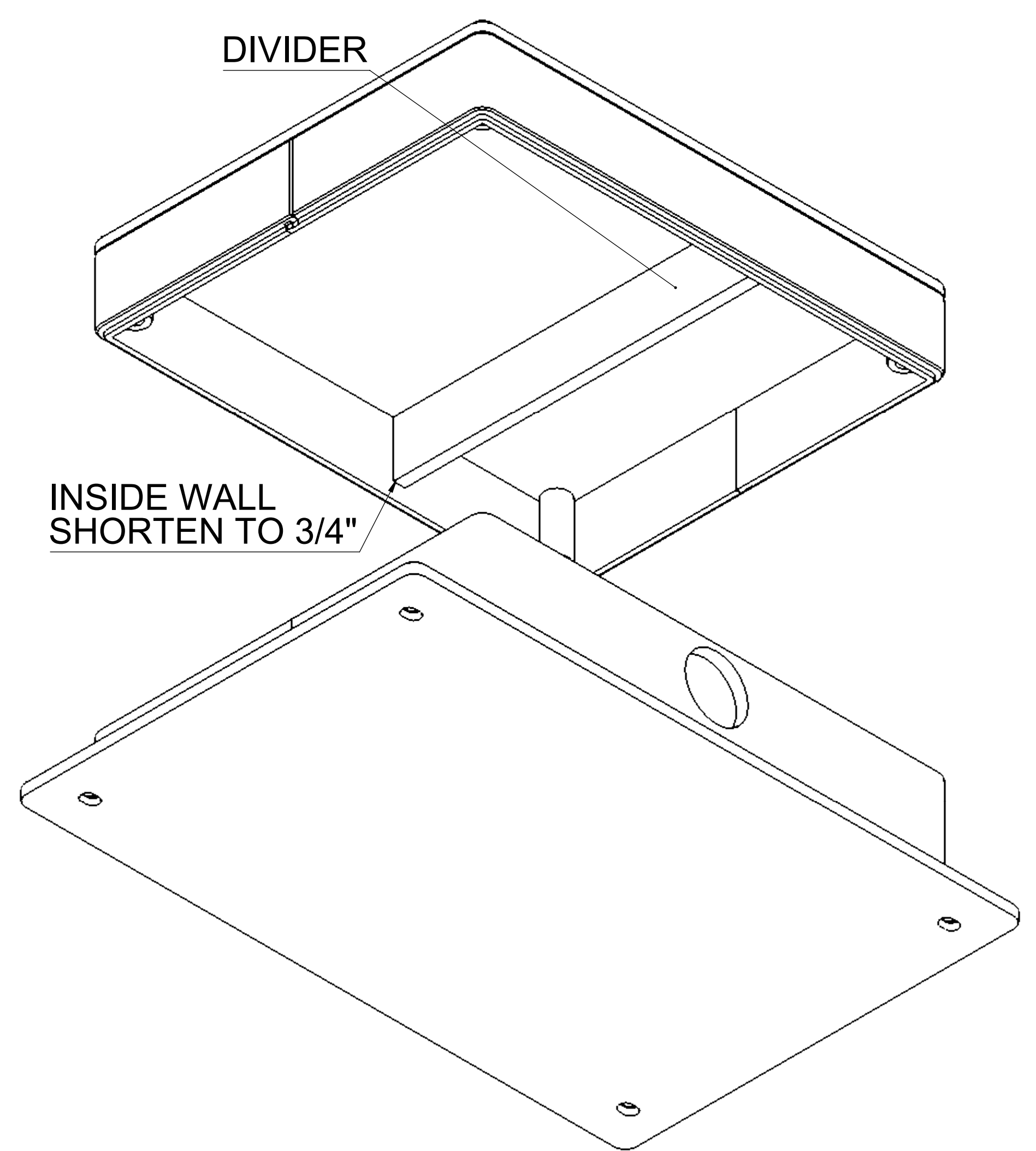
3/30/2018: (X4) STANDOFFS & 4-40 INSERTS REMOVED



LID SEEN FROM THE BOTTOM



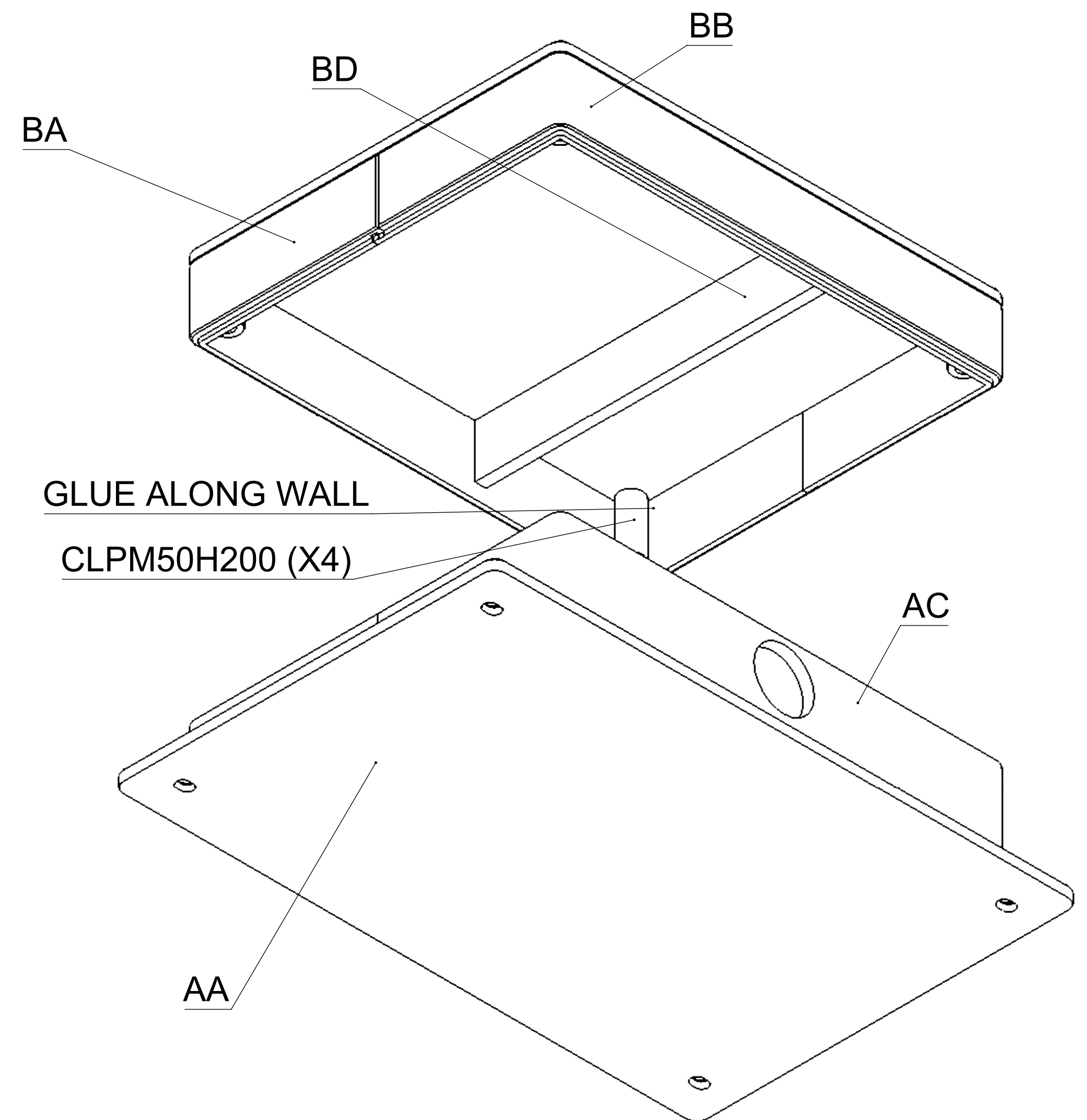
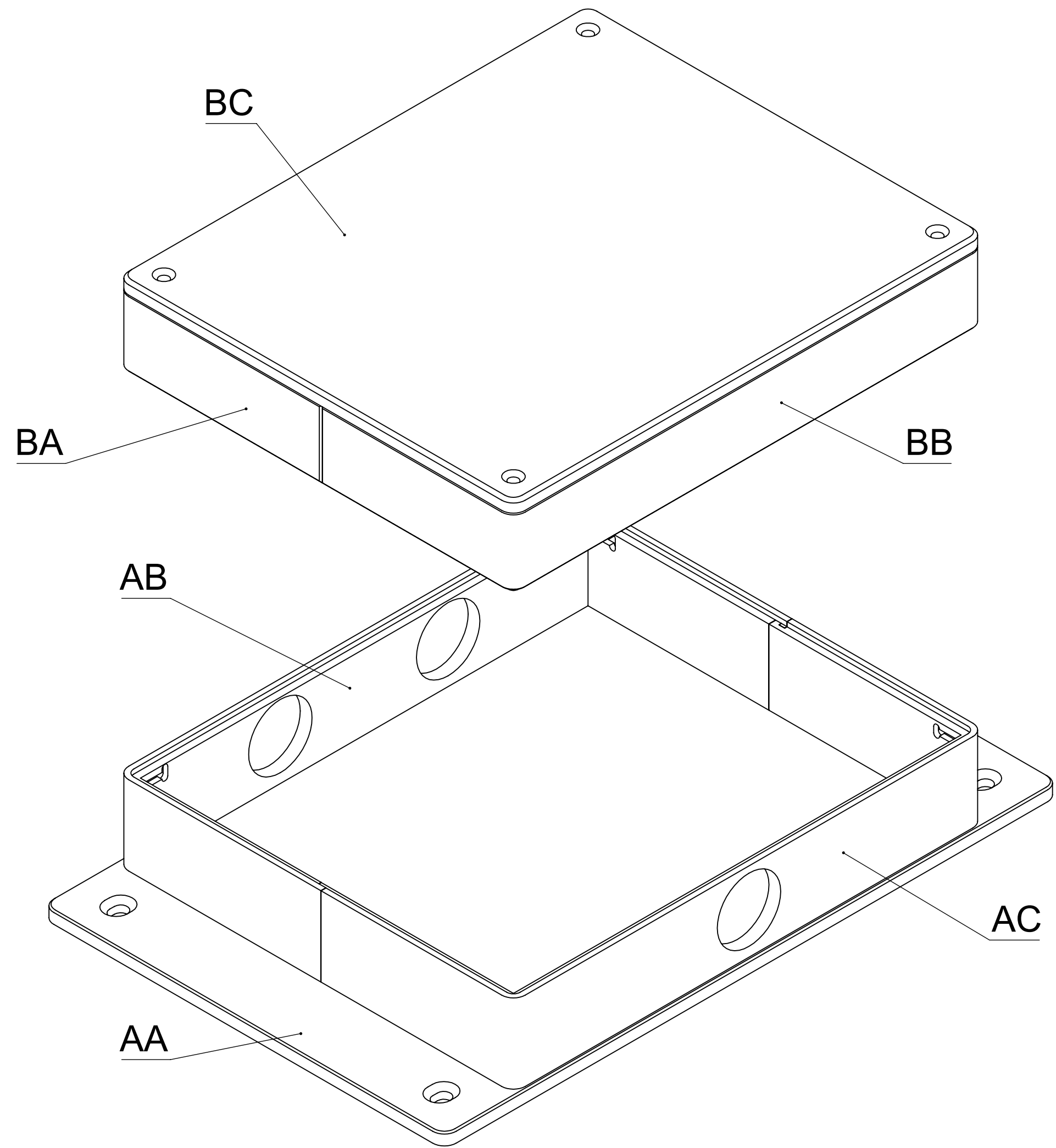
SECTION B-B INSIDE WALL



NOTES:
 TOOLLESS TYPICALLY DOES NOT SUPPLY SCREWS.

TOOLLESS DRAWING
 JOB# 6619
 JOB NAME: COMPLETE ELECTRONIC MFG
 PROJECT: WALL MOUNT ENCLOSURE
 DESIGNER: SONYA BAILEY
 DATE DRAWN: 03-10-2015
 DATE UPDATED: 06-15-2015
 MATERIAL: 4mm THICK BLACK ABS
 DIMENSIONS IN: INCHES
 SHEET 2 OF 3

3/30/2018: (X4) STANDOFFS & 4-40 INSERTS REMOVED



3/30/2018: (X4) STANDOFFS & 4-40 INSERTS REMOVED

TOOLLESS SHOP DRAWING
 JOB# 6619C001
 JOB NAME: COMPLETE ELECTRONIC MFG
 PROJECT: WALL MOUNT ENCLOSURE
 DESIGNER: SONYA BAILEY
 DATE DRAWN: 03-10-2015
 DATE UPDATED: 06-15-2015
 MATERIAL: 4mm THICK BLACK ABS
 DIMENSIONS IN: INCHES
 SHEET 3 OF 3